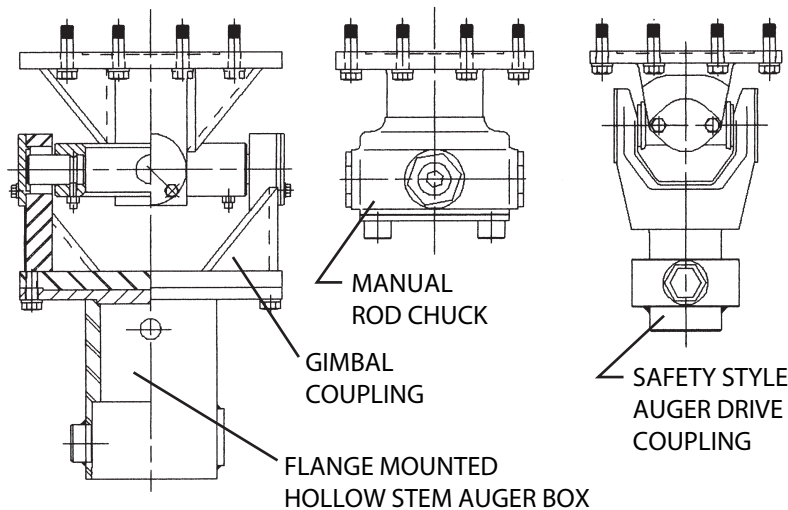
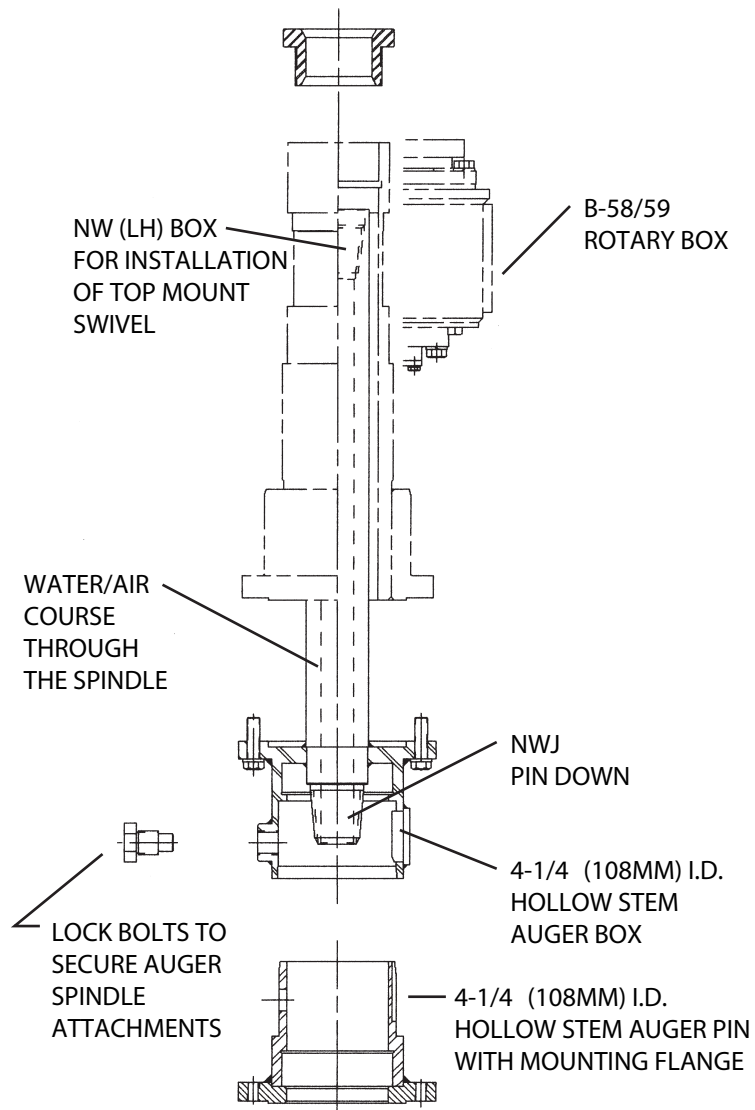
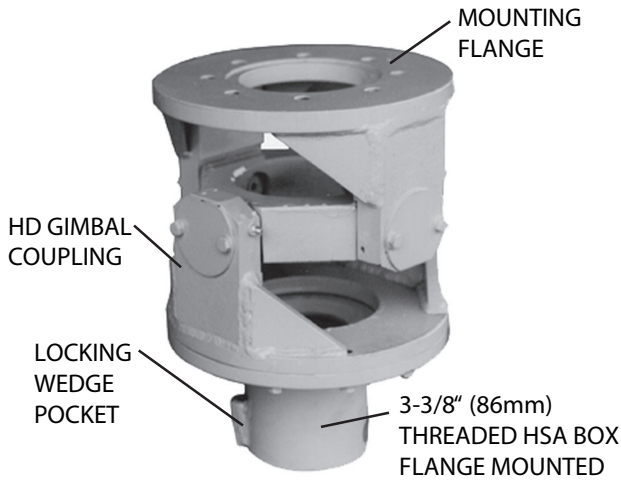


Auger Drive Components



Auger Drive Components

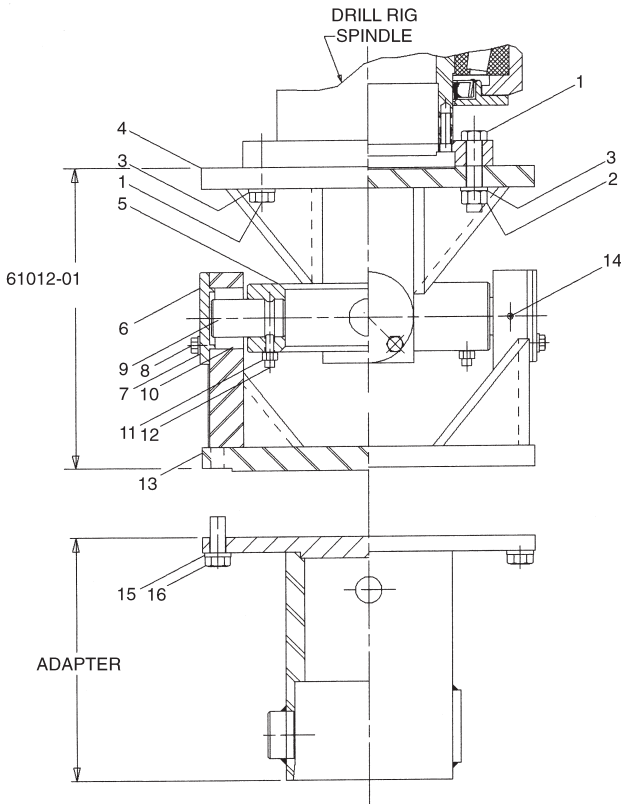
Gimbal Coupling



Description	Part #	lb./kg.
ADAPTER: 3-Key AUGER (3-Key)		
3-1/4" HSA (83mm)	213296	19(8.6)
4-1/4" HSA (108mm)	150480	27 (12.2)
6-5/8" HSA (168mm)	150453	35 (15.9)
8-1/4" HSA (210mm)	216561	40 (18.1)
10-1/4" HSA (261mm)	150619	63 (28.6)
12-1/4" HSA (311mm)	217486	86 (39.1)
BLANK FLANGE	217013	24 (10.9)
ADAPTER: 2-KEY HEAVY DUTY		
4-1/4" HSA (108mm)	150694	27 (12.2)
6-1/4" HSA (159mm)	217904	33 (15.0)

Gimbal Coupling is an open center auger coupling that can be used with the in-hole sampling hammer. The coupling connects hollow stem augers to drill rigs with open spindles and permits continuous access through the spindle and augers to the bottom of the hole.

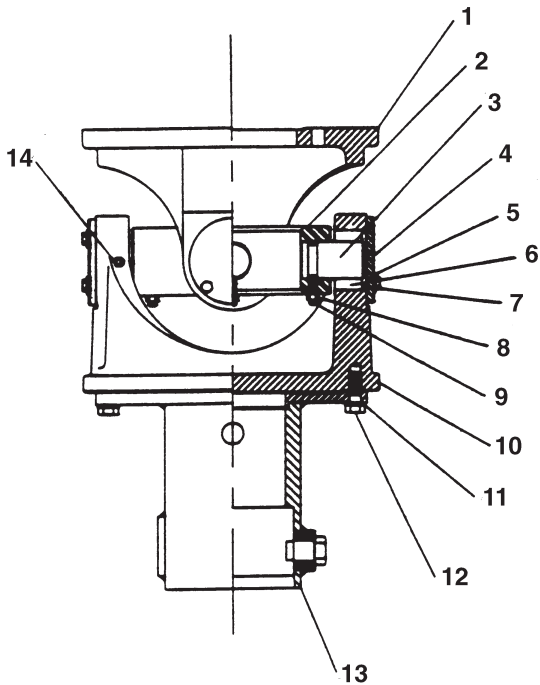
Component Parts



Ref	Description	Part No.	lb./kg.
	Gimbal Coupling	61012-01	75(34)
1	Hex Bolt (8 req'd for B-47HD, B-53 & B-80)	3100-0067	
1	Hex Bolt (8 req'd for B-57, B-59 & B-61HDX)	3100-0037	
2	Hex Nut (8 req'd for B-47HD, B-53 & B-80)	3122-0008	
3	Lock Washer (8 req'd)	3126-0008	
4	Top Yoke	052644	20(9.1)
5	Cross	140632	16(7.3)
6	Retainer Cap (4 req'd)	140630	
7	Lock Washer (8 req'd)	3126-0005	
8	Hex Bolt (8 req'd)	3100-0008	
9	Pin (4 req'd)	140633	1(.5)
10	Bearing (4 req'd)	140634	1(.5)
11	Hex Jam Nut (4 req'd)	3204-0005	
12	Set Screw (4 req'd)	3142-0081	
13	Bottom Yoke	140631	22(10)
14	Grease Fitting (4 req'd)	3129-0001	
15	Lock Washer (10 req'd)	3126-0005	
16	Hex Bolt (10 req'd)	3100-0008	

Auger Drive Components

Heavy Duty Gimbal Coupling

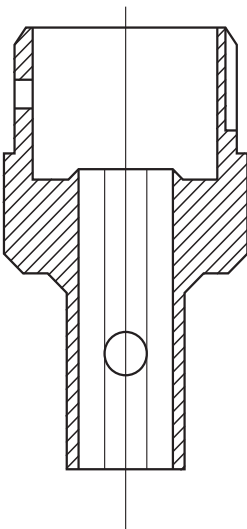


Heavy Duty Gimbal Coupling is a heavy duty, open center auger coupling that can be used within-hole sampling hammers. The coupling connects hollow stem augers to drill rigs with open spindles and permits continuous access through the spindle and augers to the bottom of the hole. Auger sizes are identified by auger I.D.

Component Parts

Ref	Description	Part No.
	Gimbal Coupling	61041-01
1	Top Yoke	217792-01
2	Cross	217793
3	Pin	217794
4	Cap, Retainer	217795
5	Lockwasher, 5/16	3129-0005
6	Bearing	217796
7	Bolt, Hex 5/16-18 UNC X 3/4" Lg	3100-0008
8	Nut, Hex Jam 5/16-18 UNC	3204-0005
9	Setscrew, Hex Socket Head	3142-0091
10	Yoke, Bottom	217792-02
11	Lockwasher, 1/2"	3126-0008
12	Bolt, Hex 1/2-13 UNC x 1-1/2" Lg	3100-0037
13	Auger Connector (4-1/4 HSA)	217797
	Auger Connector (6-1/4 HSA)	217798
	Auger Connector (8-1/4 HSA)	217799
	Auger Connector (10-1/4 HSA)	217800
	Auger Connector (12-1/4 HSA)	217801
14	Fitting Grease	3129-0001

Gimbal to Hex Adapter

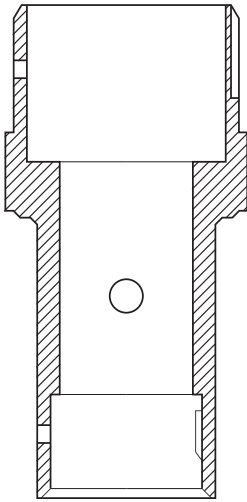


Description	Part #	lb./kg.
HEX ADAPTER: 3-Key AUGER		
3-1/4" (83mm) Pin to 1-5/8" Hex Box	150344-02	11 (5)
3-1/4" (83mm) Pin to 2" (51mm) Hex Box	150344-01	12 (5.4)
4-1/4" (108mm) Pin to 1-5/8" (41mm) Hex Box	150496-01	15 (6.8)
4-1/4" (108mm) Pin to 2" (51mm) Hex Box	150496-02	16 (7.3)
6-5/8" (168mm) Pin to 1-5/8" (41mm) Hex Box	150456-01	18 (8.2)
6-5/8" (168mm) Pin to 2" (51mm) Hex Box	150456-02	18 (8.2)

Gimbal to hex adapters allow using a gimbal coupling set up for Hollow Stem augers to be used to turn tools with hex drives. It consists of an auger pin up and a hex socket down. Sizes are identified by hollow stem auger I.D. and hex size.

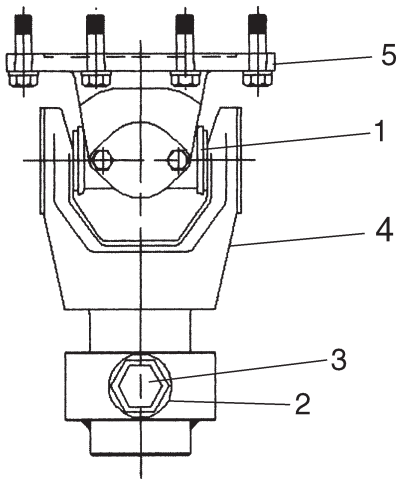
Auger Drive Components

Adapter: Hollow Stem Auger Pin Up to Hollow Stem Auger Down



Description	Part #	lb./kg.
SIZE ADAPTER: 3-Key TO 3-Key		
4-1/4" (108mm) Pin to 6-5/8" (168mm) Box	150547-02	45 (20.4)
6-5/8" (168mm) Pin to 3-1/4" (83mm) Box	150456-03	24 (10.9)
6-5/8" (168mm) Pin to 4-1/4" (108mm) Box	150456-05	30 (13.6)
6-5/8" (168mm) Pin to 8-1/4" (210mm) Box	150456-07	40 (18.1)
6-5/8" (168mm) Pin to 10-1/4" (260mm) Box	150645-04	68 (30.8)
8-1/4" (210mm) Pin to 4-1/4" (108mm) Box	150539-04	38 (17.2)
8-1/4" (210mm) Pin to 6-5/8" (168mm) Box	150539-05	40 (18.1)

Auger Coupling Assemblies



Coupling is connected to drill spindle through a multi-bolt flange. A universal joint is connected to the hex socket to lessen bearing wear on mis-aligned holes. A rubber sheath completely covers the countersunk connecting bolts to provide a smooth surface and enhance operator safety.

Component Parts

Description	Part No.
1-1/8" (29mm) Hex w/fabricated collar (B-24, B-31)	71109-15
1-5/8" (41mm) Hex w/fabricated collar (B-24, B-31)	71109-14
1-5/8" (41mm) Hex Heavy Duty w/safety collar (B-47HD, B-53, B-57, B-59, B-61HDX)	71109-11
2" (51mm) Hex Heavy Duty w/safety collar (B-47HD, B-53, B-57, B-59, B-61HDX)	71109-10

Ref	Description	Part No.
1	Journal & bearing kit (B-24, B-31)	210146-06
1	Journal & bearing kit (B-47HD, B-53, B-57, B-59, B-61HDX)	214541
2	Threaded bushing	150308
3	Lockbolt (for 1-1/8" (29mm) Hex)	216808-10
3	Lockbolt	216808-02
4	Lower yoke for Heavy Duty 1-5/8" (41mm) Hex for 71109-11	217279-02
4	Lower yoke 2" (51mm) Hex for 71109-10	217279-01
*	Neoprene boot (Use with P/Ns 71109-14, -15)	217299
*	Neoprene boot (Use with P/Ns 71109-10, -11)	217298
5	Flanged yoke (Use with P/Ns 71109-14, -15)	217714
5	Flanged yoke (Use with P/Ns 71109-10, -11)	214542